

NEMO

Wall Shadows petit

Charles Kalpakian

Family of wall lamps for a diffused LED lighting, in different dimensions. Matt white powder coated aluminium.



NEMO

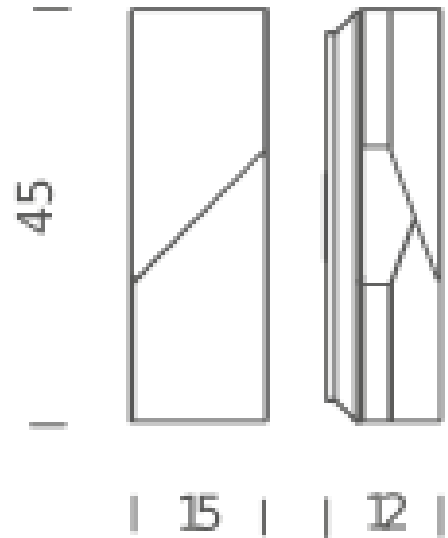
Wall Shadows petit

Charles Kalpakian

LED

Lamping

Source	LED board
Total power	8W
Emission	diffused Indirect
Switching	dimnable 1-10V
Tension	110/240V
Color temperature	3000K
Luminous flux	580lm
Typ cri	80
Energy class	A+
Materials	Aluminium



Codes

WSH LWW 32

Structure

white

Diffuser

Package 1

Dimensions	40x50x25
Gross weight	2.7 Kg