

CROWN MINOR

Jehs + Laub

Family of pendant chandeliers, wall and floor lamps, with modular structure in die-casted aluminum and sandblasted glass diffusers. Structure in hand polished aluminum, glossy gold plated or painted in matt white, matt black or gold. Nemo LED G9 kit available. Widespread light. Double switch for the Summa and Magnum versions. Transparent cable. Red cable on request.



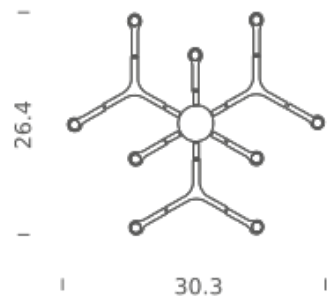
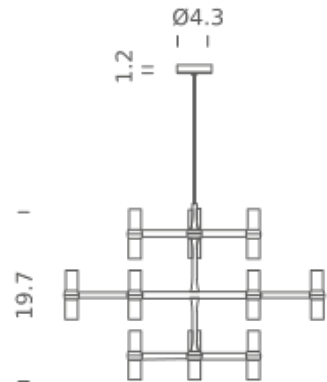
CROWN MINOR

Jehs + Laub

HALO/LED

Lamping

Source	HALOPIN G9 QT-14
Total power	12 x 25W
Emission	DIFFUSED
Switching	dimmable, according to bulb
Tension	120V
Ip class	20
Dimensions	30.3 X 26.4 X 19.7
Materials	aluminum + GLASS
Notes	cable length 8.2' max, bulb included: G9 Halo, available G9 LED kit NEMO



Codes

CRO HLT 51

white

CRO HWT 51

white

CRO HNT 51

white

CRO HGW 51

white

CRO HOW 51

white

Net lamp weight

Structure

polished

white

black

gold

gold plated

11.2 lbs

Diffuser

Package 1

Dimensions 34.3 X 30.7 X 22.4

Gross weight 24.5 lbs