

# MONOLITH TABLE

DESIGN MASSIMO CASTAGNA

**HENGE**

## STRUCTURE

Metal version with internal structure in polyurethane foam, density 150Kg/m<sup>3</sup>, with inserts of plywood.

Stone version with internal metal structure covered with stone.

## FINISH

Burnished Titano, burnished Platino, burnished brass.

Stones from our samples (Titano excluded).

## TECHNICAL DATA

---

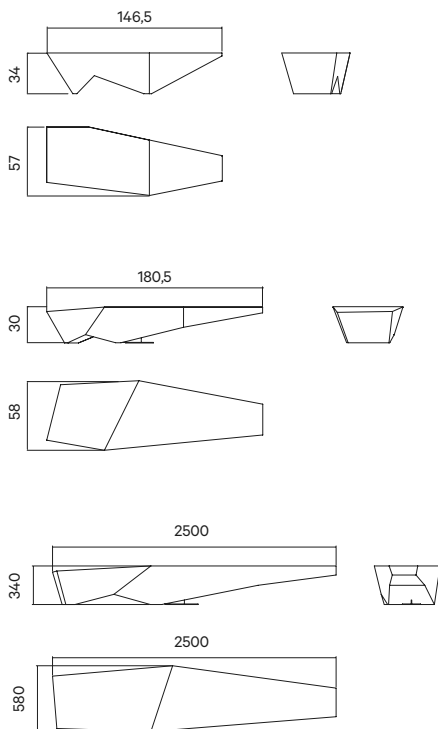
Cm 146,5x57x34h

Cm 180,5x58x30h

Cm 250x58x34h

## TECHNICAL DRAWINGS

---



## CARE AND MAINTENANCE OF METALS

---

Avoid leaving household liquids (oil, red wine, vinegar, etc.) on the surface. In particular, products that contain citric acid (present for example in fruit, citrus fruit and tomatoes) act on contact with the treated surface, removing its original sheen. Always clean stains while they are still fresh. For routine maintenance use a microfiber cloth and water. Do not use products containing acids, limescale removing substances or alcohol.

## CARE AND MAINTENANCE OF MARBLE/STONE

---

Marble is crystalline limestone rock composed primarily of calcium carbonate. As a natural material, colour variations, whether overall or in the veins and marks even within the same slab, are considered characteristic. The product may change by itself, acquiring an appearance that makes it all the more prized and unique the more it shows signs of age. Over time, such surfaces may deteriorate and/or mark (marks bring more noticeable with a pale colour). It is therefore advisable to avoid leaving cleaning products or household liquids (oil, red wine, vinegar, etc.) on the surface. In particular, products that contain citric acid (present for example in fruit, citrus fruit and tomatoes) act on contact with the treated surface, removing its original sheen. Always clean stains on surfaces while they are still fresh. To reduce risk, we treat the marble according to the most advanced waterproofing technology. Yet even the best waterproofing treatment, such as the one we apply, becomes less effective normally after two or three months, depending on your use of the surface. Therefore it is very important to renew the treatment regularly using the recommended product supplied. To apply this, carefully follow the instructions printed on the package, bearing in mind however, that the treatment does not make the surface immune to the effects of acidic substances (such as lemon juice). For routine maintenance use a microfiber cloth with a neutral pH detergent (water alone is enough for flamed finishes). Do not use products containing acids or limescale removing substances.

Specific cleaner and care kit for our stones, including specific products and accessories is available upon request.