

LC Shutters

The fixture emits a primarily downward illumination. The perforated pattern on the shade provides a soft illumination around the fixture. Meanwhile, the perforation helps lighten up the surface of the shade in a decorative way, when it is turned on, thereby maintaining the contour of the fixture, whether it is on or off. The light source is surrounded by an opal diffuser, which ensures that the fixture is 100% glare-free. And finally, the shape of the diffuser allows a beautiful view into the fixture.



Louise Campbell

Louise Campbell was born in Copenhagen in 1970. Being the daughter of a Danish father and an English mother, she grew up and was educated in both countries. After graduating from the London College of Furniture in 1992, she returned to Denmark and continued her studies in Industrial Design at Denmark's Design School, graduating from here in 1995.



**Jissen 120th
memorial square
(Jissen Women's
University)**



**Yokohama College of Dental Care and
Health Sciences**

Product info

Information

Electrical: System Wattage: 42W LED Wattage: 39 W Delivered lumens: 2,123 Efficacy: 50.5 lm/W Certifications: cULus, Dry Location Protection class IP20 Controllability: Phase dimming Actual performance dependent upon screw-base lamp used.

Mounting

Cord type: 3-conductor, 18 AWG white PVC power cord. Canopy: White. Cord length: 12'.

Finish

White, powder coated.

Materials

Shade: Spun aluminum, punched and embossed. Suspension: Die cast aluminum. Diffuser ball: handblown matte white opal glass.

Sizes and weight

Width x Height x Length (in.) | 17.3 x 11.8 x 17.3 Max 8.4 lbs

Compliance

cULus, Dry location.

Light source

1x42W GU24

Information

Electrical:

System Wattage: 42W

LED Wattage: 39 W

Delivered lumens: 2,123

Efficacy: 50.5 lm/W

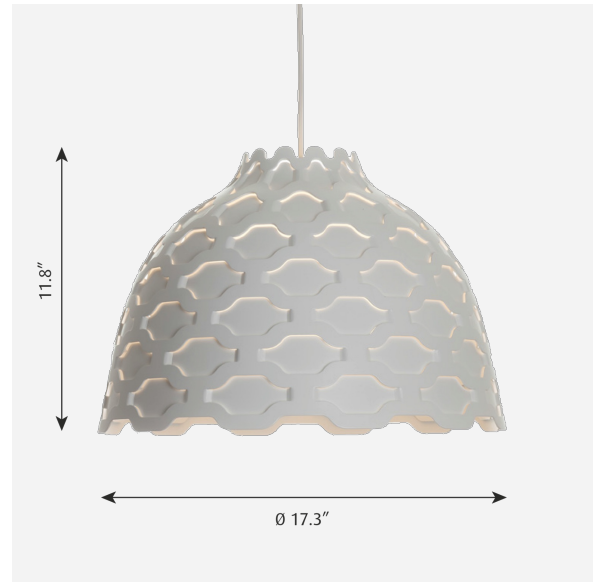
Certifications:

cULus, Dry Location

Protection class IP20

Controllability: Phase dimming

Actual performance dependent upon screw-base lamp used.



Product variants

Light source

1x42W GU24

Voltage frequency

120V

Product description

LC Shutters emits primarily downward illumination. The perforated pattern on the shade provides a soft illumination around the fixture. The perforation helps lighten up the surface of the shade with a decorative pattern, when it is turned on, thereby maintaining the contour of the fixture, whether it is on or off. The light source is surrounded by an opal diffuser, which ensures that the fixture is 100% glare-free.

Mounting

Mounts onto a 4 inch octagonal outlet box. Canopy: White, flat cone profile, 5.3 IN diameter x 1 IN tall. Cord type: 3-conductor, 18 AWG white PVC power cord. Cord length: 12 feet.

Light description

A diffuse, downward light is reflected from the matte, white interior of the shade. LC Shutters pendant is provided with a GU24 bi-pin base socket for the use of self-ballasted high efficiency bulb. Opal diffuser covers the light source to eliminate glare.

Design

Louise Campbell

Material

Shade: spun aluminum, 0.12 IN thick. Canopy is spun aluminum, 0.03 IN thick. Socket: Polycarbonate GU24 bipin. Standard finish are matte surface powder coat with minimum 2 mils thickness in white. Wht

Weight

8.389

Other functions

Longer cord lengths. Alternative finishes.

Finish

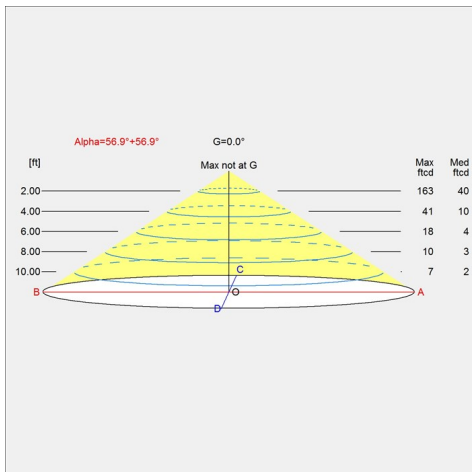
White

Voltage

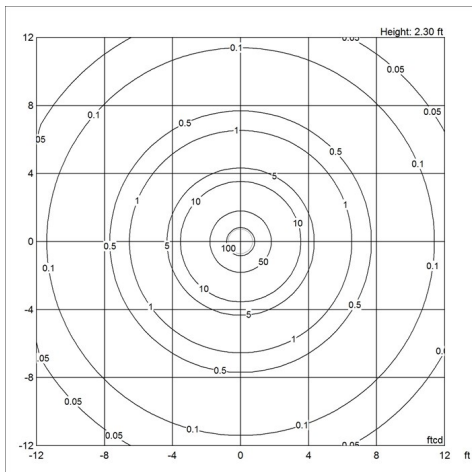
120V

Light distribution diagrams

Cartesian



Isolux



Polar

