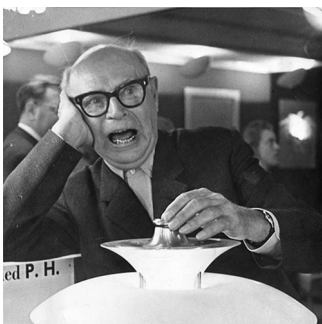


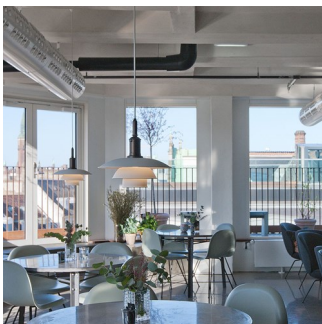
# PH 3½-3 Pendant

The fixture is 100% glare-free, with a design based on the principle of a reflective three-shade system, which directs most of the light downwards. The shades are made of deep drawn aluminum with white inner surface that ensures gentle, downward light distribution. The downward light is both soft and pleasant.



## Poul Henningsen

Poul Henningsen was born in Copenhagen by the famous Danish writer Agnes Henningsen. He never graduated as an architect, but studied at The Technical School at Frederiksberg, Denmark from 1911-14, and then at Technical College in Copenhagen from 1914-17.



Original Coffee,  
Copenhagen



Fredericia Furniture Showroom

## Product info

### Mounting

Canopy: White. Cord type: 3-conductor, 18 AWG white PVC power cord. Cord length: 12".

### Finish

Shade: red, green, yellow and white, powder coated. Suspension: silk matte brown, copper.

### Materials

Shades: deep drawn aluminum. Suspension: silk matte brown, copper.

### Sizes and weight

Width x Height x Length (in.) | 13 x 12 x 13 Max 3.2 lbs

### Compliance

cULus, Dry location.

### Light source

1x15W A-19/IF medium

## Product family



PH 3½-2½ Floor



PH 3½-2½ TABLE



PH 3½-3 Glass Pendant



PH 3½-2½ Glass Table



## Product variants

Color	Light source	Voltage frequency
<span style="color: green;">●</span> Green	1x15W A-19/IF medium	120V
<span style="color: red;">●</span> Red		
<span style="color: white;">○</span> White		
<span style="color: yellow;">●</span> Yellow		

# Product description

Suspended metal luminaire.  
Simplistic design.  
Available in multiple colours.  
3 shades ensure minimal direct view of lamp.

---

## Mounting

Can be mounted on 4" octagonal junction box.

---

## Light description

Glare free, mostly downlight distribution.  
Gentle, downward light distribution.

---

## Design

Poul Henningsen

---

## Material

Shade: spun aluminium, 2mm (0.08") thick, powder coated, white interior for diffuse light.  
Stem: stamped copper, 2mm (0.08") thick, silk brown finished.  
Struts: cast brass, copper plated and silk brown finished.  
Socket: Porcelain, medium base for A-19, frosted envelope lamps.  
Canopy: 5.3" diameter x 0.9" tall cone of spun aluminium.  
Cable: white PVC coated, 9 ft.

---

## Weight

Min: 3.236 lbs Max: 3.236 lbs

---

## Finish

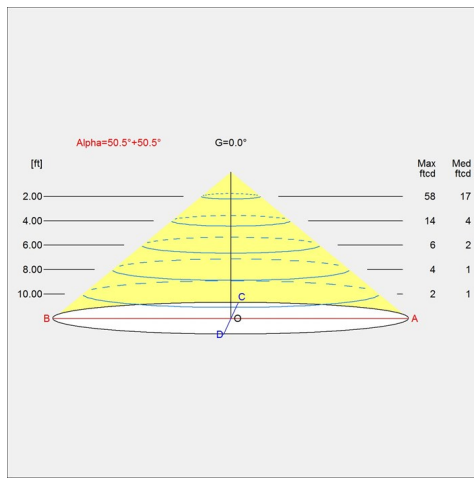
Green, Red, White, Yellow

# Voltage

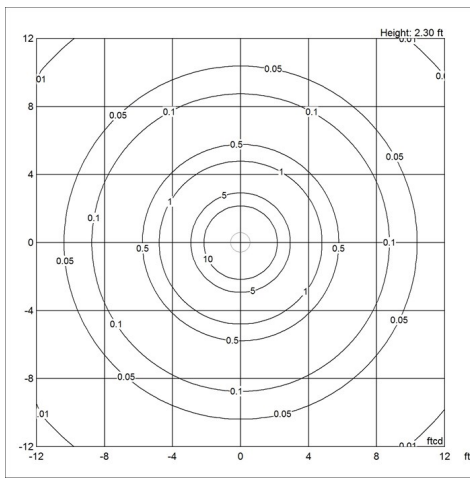
120V

# Light distribution diagrams

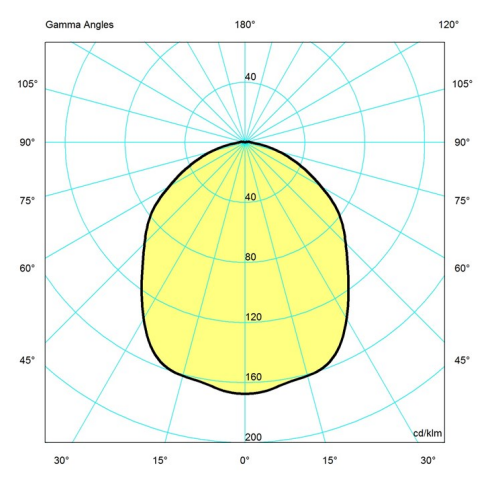
Cartesian



Isolux



Polar



# Spare parts & accessories

Product	Variant number
PH 3½ TOP SHADE, RED	5741095434
PH 3½ TOP SHADE, GREEN	5741095463
PH 3½ TOP SHADE, WHT	5741095492
PH 3½ TOP SHADE, YELLOW	5741095528