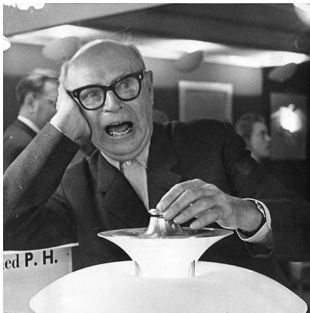


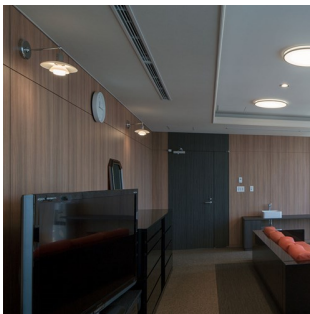
PH 2/1 Wall

The fixture is designed based on the principle of a reflective three-shade system, which directs the majority of the light downwards. The shades are made of mouth-blown opal three-layer glass, which is shiny on the top and sandblasted matt on the inside, giving a soft and diffuse light distribution.



Poul Henningsen

Poul Henningsen was born in Copenhagen by the famous Danish writer Agnes Henningsen. He never graduated as an architect, but studied at The Technical School at Frederiksberg, Denmark from 1911-14, and then at Technical College in Copenhagen from 1914-17.



**Yokohama
College of
Dental Care and
Health Sciences**



Private residence, Sipoo

Product info

Mounting

Cable length: 2.9m. Light control: On wall plate.

Finish

White opal glass. High lustre chrome plated.

Materials

Shades: Mouth-blown white opal glass. Wall box: High lustre chrome plated, spun brass. Suspension: High lustre chrome plated, spun aluminium. Arm: High lustre chrome plated, brass.

Sizes and weights

Width x Height x Length (mm) | 200 x 165 x 296 Max 2.1 kg

Class

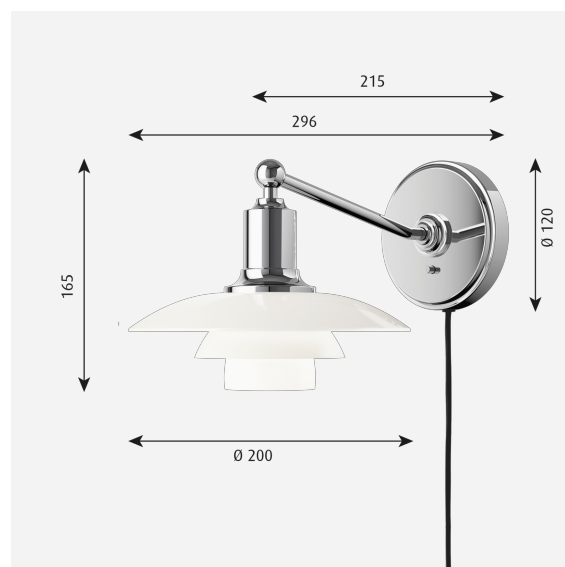
Ingress protection IP20. Electric shock protection II w/o ground.

Specification notes

The innovation of light sources is ongoing. Consequently we only inform about the max. wattages. On www.louispoulsen.com we update a list of recommendable light sources.

Light source

1x20W E14



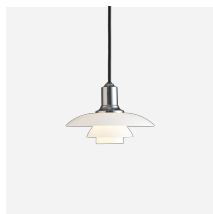
Product family



PH 2/1 Stem Fitting



PH 2/1 Table



PH 2/1 Pendant

Product variants

Light source

1x20W E14

Design

Poul Henningsen

Weight

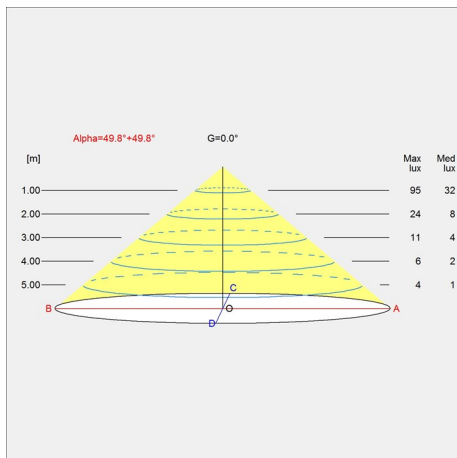
2.069

Finish

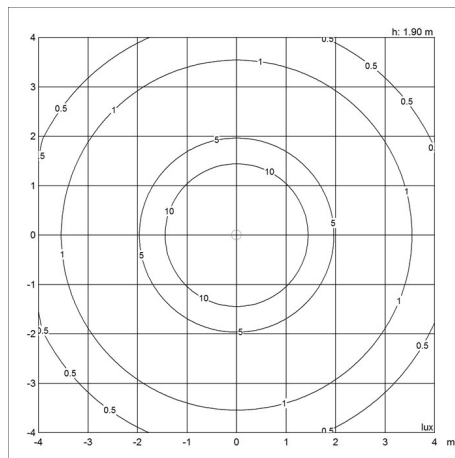
White opal glass

Light distribution diagrams

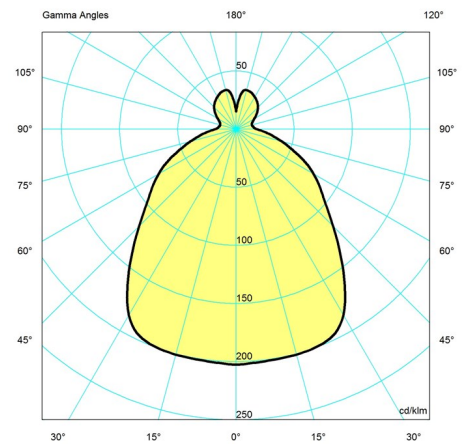
Cartesian



Isolux



Polar



Spare parts & accessories

Product

- PH 2-1, MIDDLE SHADE, GLASS
- PH 2-1, LOWER SHADE, GLASS
- PH 2-1, TOP SHADE, GLASS, TABLE/WALL
- PH 2-1, SPRINGHOLDER W/SPRINGS

Variant number

- 5741084940
- 5741084953
- 5741084937
- 5741086333

