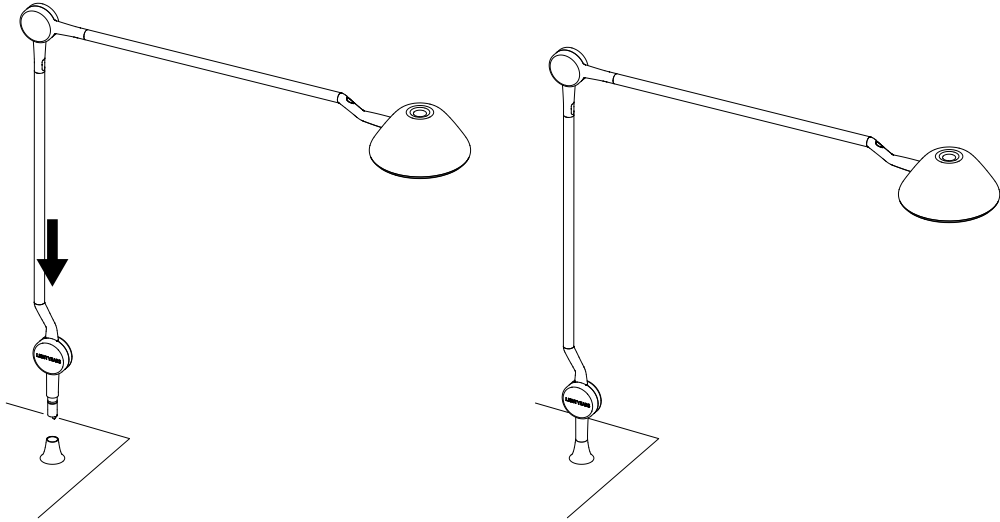
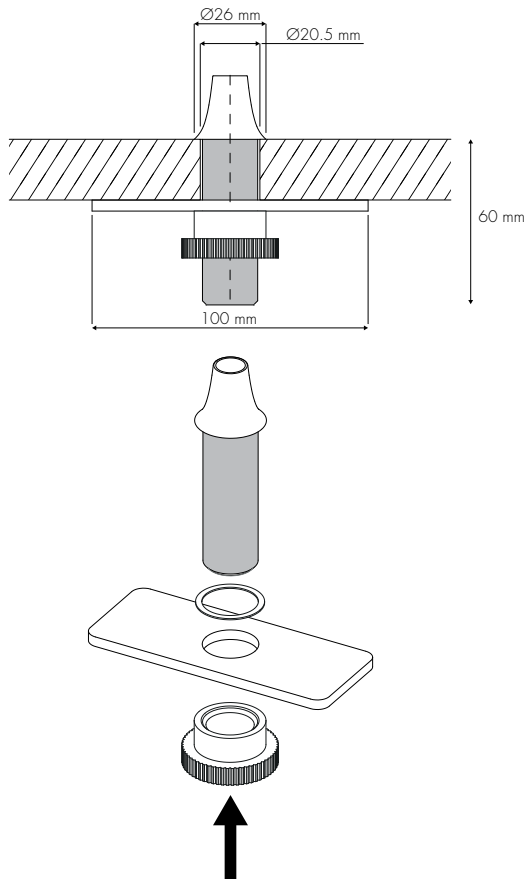


INSTRUCTIONS - AQ01™ PLUG-IN PIN



A



B

