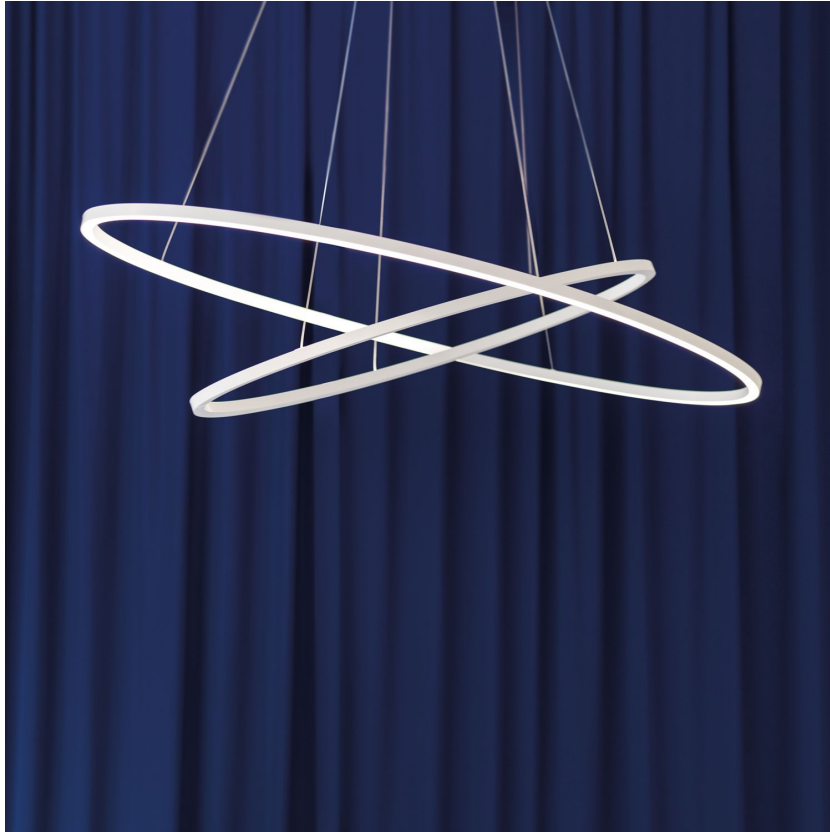


NEMO

Ellisse pendant double

Federico Palazzari

LED pendant lamp, available in three versions: major, minor and double, widespread direct or indirect lighting. Extruded aluminium, matt white or matt black painted. Opalin diffuser. Ellisse is manufactured through a technology studied by NEMO to combine the extruded bar (patent pending).



NEMO

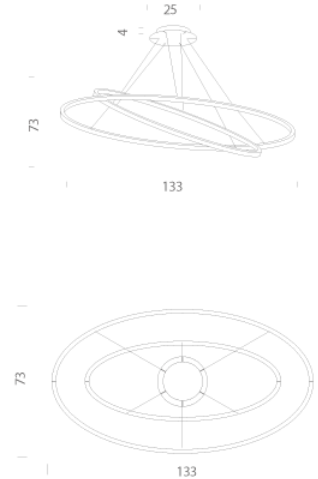
Ellisse pendant double

Federico Palazzari

LED

Lamping

Source	LINEAR LED
Total power	90W
Emission	diffused uplight(minor), diffused downlight (major)
Switching	dimmmable 1-10V
Tension	110/230V
Color temperature	3000K
Luminous flux	5400+3900lm
Typ cri	80
Energy class	A+
Materials	Aluminium



Codes

ELP LWW 56

ELP LNW 56

Structure



Diffuseur

cablre lenght 2,5m



Package

LxPxH (body)	5,5
LxPxH (base)	80x150x15
Weight (base)	8